

Tantalum Product - TPS Low ESR Series

PRODUCT SPECIFICATIONS :

Nominal Capacitance @ 120Hz	4.7 μ F	
Capacitance Tolerance (*)	K = \pm 10%; M = \pm 20%	
Rated Voltage DC (V_R)	\leq 85°C	6.3 V
Category Voltage DC (V_C)	\leq 125°C	4 V
Surge Voltage (V_S)	\leq 85°C	8 V
	\leq 125°C	5 V
Temperature Range	-55°C to +125°C	
Direct Leakage Current max. @ V_R	0.5 μ A	
Dissipation Factor max. @ 120Hz	6 %	
ESR max. @ 100kHz	4 Ohm	
Typical weight (S case)	19 mg	



Moisture sensitivity level: meets MSL 1

Reflow specification: meets J-STD-020 standard

For AEC-Q200 availability, please contact KYOCERA AVX

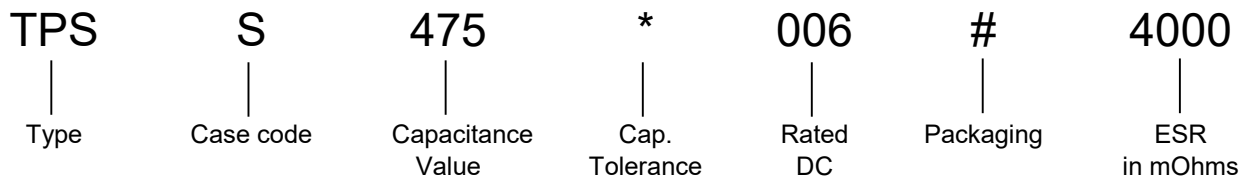
100% surge current tested

All technical data relates to an ambient temperature of +25°C, Capacitance and DF are measured at 120Hz, 0.5RMS with DC bias of 2.2V. DCL is measured at rated voltage after 5 minutes

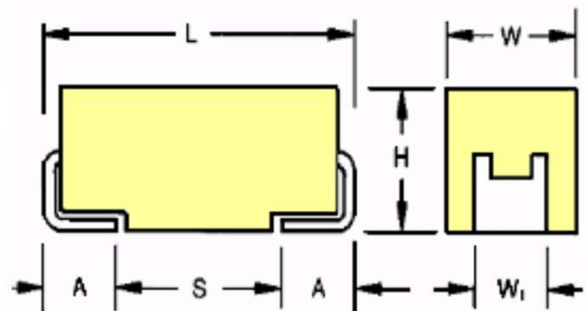
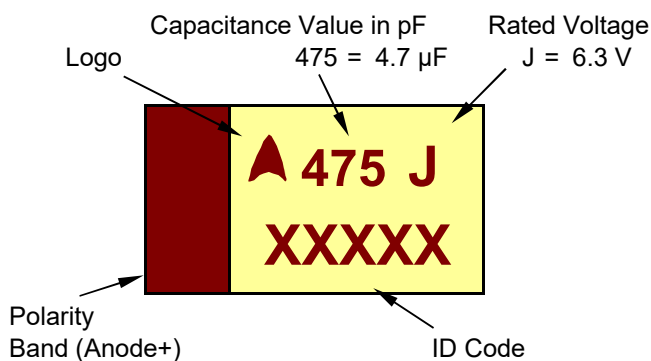
The EIA and CECC standards for low ESR solid Tantalum capacitors allow an ESR movement to 1.25 times catalogue limit post mounting KYOCERA AVX reserves the rights to supply higher voltage rating in the same case size, to the same reliability standards

RMS value of Ripple Current (mA) @100kHz			RMS value of Ripple Voltage (mV) @100kHz		
25°C	85°C	125°C	25°C	85°C	125°C
127	115	51	510	459	204

HOW TO ORDER:



DRAWING AND DIMENSIONS:



Tantalum Product - TPS Low ESR Series



CASE DIMENSIONS: millimetres

Case		L ±0.2	W +0.2 -0.1	H max.	A +0.3 -0.2	S min.	W1 ±0.2
EIA	Size						
3216-12	S	3.2	1.6	1.2	0.8	1.1	1.2

PACKAGING INFORMATION:

Reel Size (#)	R = 7" Reel Pure Tin Termination	S = 13" Reel Pure Tin Termination	A = 7" Reel Gold Plated Termination	B = 13" Reel Gold Plated Termination
Quantity	2500	10000	2500	10000
Tape Width	8 mm	8 mm	8 mm	8 mm

Issued by: KYOCERA AVX Technical Marketing Team
Tantalum Division

More details at: www.kyocera-avx.com

Version: 10/2021

NORTH AMERICA
Tel: +1 864-967-2150

CENTRAL AMERICA
Tel: +55 11-46881960

EUROPE
Tel: +44 1276-697000

ASIA
Tel: +65 6286-7555

JAPAN
Tel: +81 740-321250

WWW.KYOCERA-AVX.COM



NOTICE: Specifications are subject to change without notice. Contact your nearest KYOCERA AVX Sales Office for the latest specifications. Specifications are typical and may not apply to all applications. All statements, information and data given herein are believed to be accurate and reliable, but are presented without guarantee, warranty, or responsibility of any kind, expressed or implied. Statements or suggestions concerning possible use of our product are made without responsibility or warranty that any such use is free of patent infringement and are not recommendations to infringe any patent. The user should not assume that all safety measures are indicated or that other measures are indicated or that measures may not be required. All samples are provided for testing purposes only. Provision of samples shall not constitute any offer of sale nor shall it constitute any commitment of any kind. Samples may not be incorporated in any product offered for commercial sale. Recipient assumes all risks and liability resulting from such testing. Samples are for the exclusive use of the direct recipient and shall not be sold, lent, given, or otherwise transferred to any other party. All unused samples shall be destroyed or returned to KYOCERA AVX.