

Tantalum Product - TAJ Series

PRODUCT SPECIFICATIONS :

Nominal Capacitance @ 120Hz	47 μ F
Capacitance Tolerance (*)	K = \pm 10%; M = \pm 20%
Rated Voltage DC (V_R)	\leq 85°C 10 V
Category Voltage DC (V_C)	\leq 125°C 7 V
Surge Voltage (V_S)	\leq 85°C 13 V
	\leq 125°C 8 V
Temperature Range	-55°C to +125°C
Direct Leakage Current max. @ V_R	4.7 μ A
Dissipation Factor max. @ 120Hz	6 %
ESR max. @ 100kHz	0.4 Ohm
Typical weight (D case)	290 mg



LEAD-FREE
LEAD-FREE COMPATIBLE
COMPONENT

Moisture sensitivity level: meets MSL 1

Reflow specification: meets J-STD-020 standard

For AEC-Q200 availability, please contact KYOCERA AVX

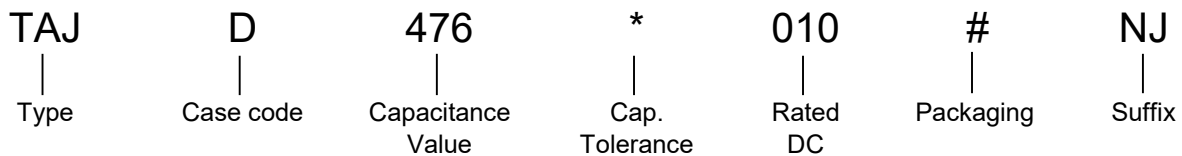
100% surge current tested

All technical data relates to an ambient temperature of +25°C, Capacitance and DF are measured at 120Hz, 0.5RMS with DC bias of 2.2V. DCL is measured at rated voltage after 5 minutes.

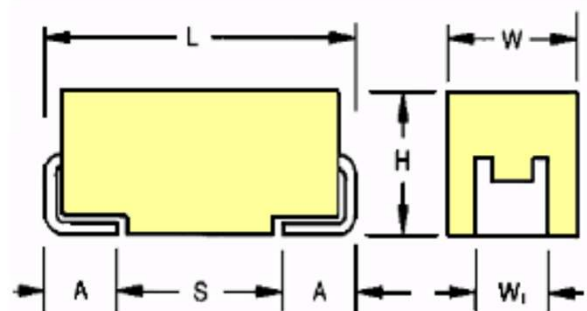
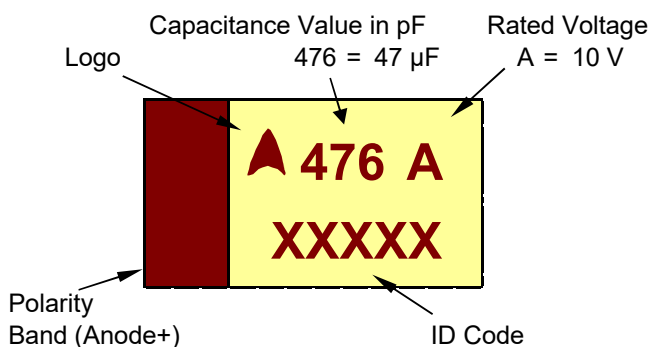
KYOCERA AVX reserves the rights to supply higher voltage rating in the same case size, to the same reliability standards.

RMS value of Ripple Current (mA) @100kHz			RMS value of Ripple Voltage (mV) @100kHz		
25°C	85°C	125°C	25°C	85°C	125°C
612	551	245	245	220	98

HOW TO ORDER:



DRAWING AND DIMENSIONS:



Tantalum Product - TAJ Series

CASE DIMENSIONS: millimetres

Case		L ±0.2	W +0.2 -0.1	H +0.2 -0.1	A +0.3 -0.2	S min.	W1 ±0.2
EIA	Size						
7343-31	D	7.3	4.3	2.9	1.3	4.4	2.4

PACKAGING INFORMATION:

Reel Size (#)	R = 7" Reel Pure Tin Termination	S = 13" Reel Pure Tin Termination	A = 7" Reel Gold Plated Termination	B = 13" Reel Gold Plated Termination
Quantity	500	2500	500	2500
Tape Width	12 mm	12 mm	12 mm	12 mm

Issued by: KYOCERA AVX Technical Marketing Team
Tantalum Division

More details at: www.kyocera-avx.com

Version: 10/2021

NORTH AMERICA

Tel: +1 864-967-2150

CENTRAL AMERICA

Tel: +55 11-46881960

EUROPE

Tel: +44 1276-697000

ASIA

Tel: +65 6286-7555

JAPAN

Tel: +81 740-321250

WWW.KYOCERA-AVX.COM



NOTICE: Specifications are subject to change without notice. Contact your nearest KYOCERA AVX Sales Office for the latest specifications. Specifications are typical and may not apply to all applications. All statements, information and data given herein are believed to be accurate and reliable, but are presented without guarantee, warranty, or responsibility of any kind, expressed or implied. Statements or suggestions concerning possible use of our product are made without responsibility or warranty that any such use is free of patent infringement and are not recommendations to infringe any patent. The user should not assume that all safety measures are indicated or that other measures are indicated or that measures may not be required. All samples are provided for testing purposes only. Provision of samples shall not constitute any offer of sale nor shall it constitute any commitment of any kind. Samples may not be incorporated in any product offered for commercial sale. Recipient assumes all risks and liability resulting from such testing. Samples are for the exclusive use of the direct recipient and shall not be sold, lent, given, or otherwise transferred to any other party. All unused samples shall be destroyed or returned to KYOCERA AVX.